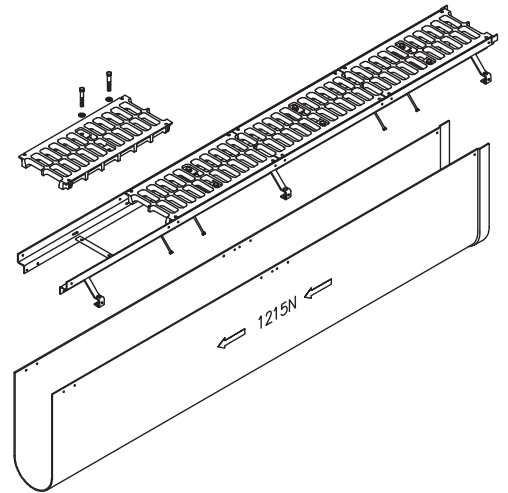
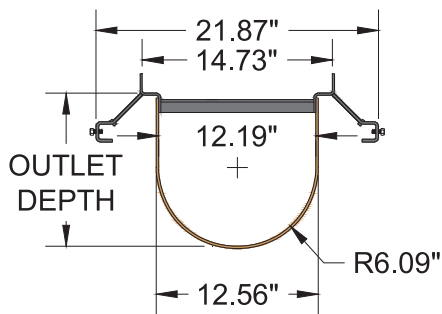


**ENGINEERING SPECIFICATION:**

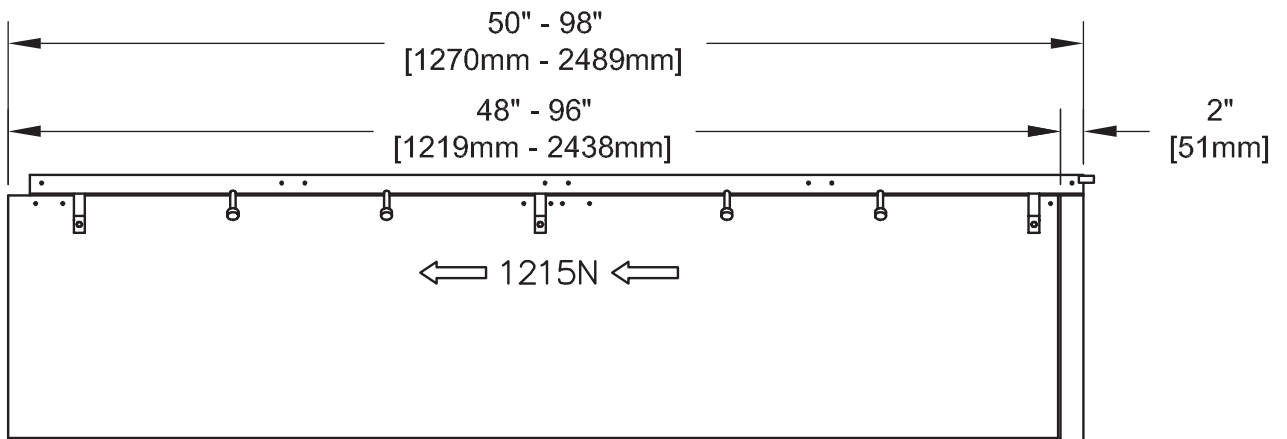
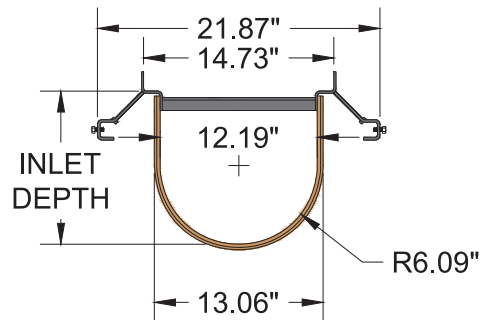
The FP1200™ Series Pre-Sloped Trench Drain System is the ideal solution for high volume flow situations such as airports, roadways, and seaports. Designed with the installer in mind, this revolutionary design incorporates full 360° interlocks and prefabricated turns and tees to minimize installation time. This drain is 12" wide and comes in both 4' and 8' lengths for maximum flexibility.



## End View - Outlet



## End View - Inlet



Options (Select All That Apply)			
<input checked="" type="checkbox"/>	Grate Type	Part No.	DIN Load Class
<input type="checkbox"/>	Ductile Iron Slotted	FG1241	Class C
<input type="checkbox"/>	Ductile Iron Slotted	FG1242	Class E
<input type="checkbox"/>	Transverse Slotted	FG1275	Class E
<input type="checkbox"/>	Ductile Iron Slotted	FG1246	Class F