



610-638-1221
 sales@trenchdrain.com
 PO BOX 377 - FREMONT, OH 43420

PROJECT ID: _____
 CONTRACT NO: _____

LOCATION: _____

RELEASED: 11.23.20
 REVISION: -

2811B	LOCKING DEVICE FOR ABT POLYDRAIN w/DUCTILE IRON GRATE
-------	---

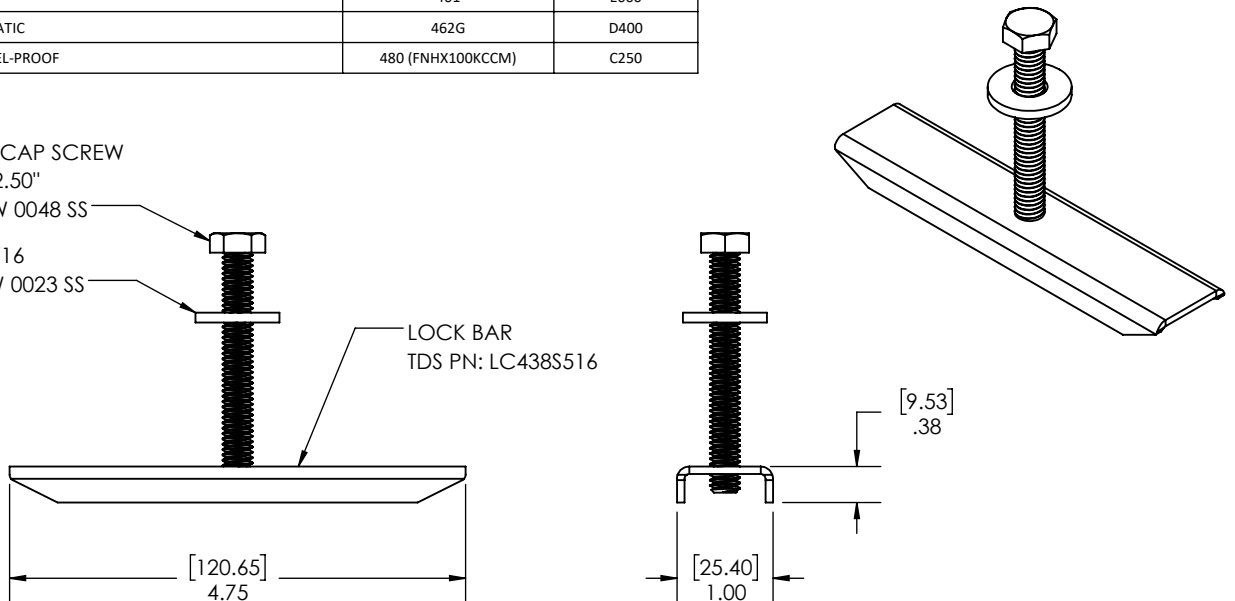
GRATE TYPE	PART NO.		DIN LOAD CLASS
	RAW	BoOF	
IRONAGE - ARGO HEEL PROOF - AA5-20I21HP	IA-ARGO-0520-HP	IA-ARGO-0520-HP-BF	B
IRONAGE - MISSION BAY HEEL PROOF - MBA5-20I21HP	IA-BAY-0520-HP	IA-BAY-0520-HP-BF	B
IRONAGE - CARBOCHON - CAA5-20I21	IA-CARB-0520	IA-CARB-0520-BF	B
IRONAGE - GREEK KEY - GA5-20I21	IA-GRK-0520	IA-GRK-0520-BF	B
IRONAGE - INTERLAKEN HEEL PROOF - IA5-20I21HP	IA-INTER-0520-HP	IA-INTER-0520-HP-BF	B
IRONAGE - JANIS - JAS-20I21	IA-JANIS-0520	IA-JANIS-0520-BF	B
IRONAGE - JOE HEEL PROOF - RJAS-20I21HP	IA-JOE-0520-HP	IA-JOE-0520-HP-BF	B
IRONAGE - LOCUST - LA5-20I21	IA-LOC-0520	IA-LOC-0520-BF	B
IRONAGE - MINNIONE - MA5-20I21	IA-MIN-0520	IA-MIN-0520-BF	B
IRONAGE - OBLIO HEEL PROOF - OA5-20I21HP	IA-OBLIO-0520-HP	IA-OBLIO-0520-HP-BF	B
IRONAGE - OBLIO - OA5-20I21	IA-OBLIO-0520	IA-OBLIO-0520-BF	B
IRONAGE - PARADISE - PA5-20I21	IA-PAR-0520	IA-PAR-0520-BF	B
IRONAGE - QUE HEEL PROOF - QUA5-20I21HP	IA-QUE-0520-HP	IA-QUE-0520-HP-BF	B
IRONAGE - RIVER ROCK - RRA5-20I21	IA-RIV-0520	IA-RIV-0520-BF	B
IRONAGE - SUNSET - SA5-20I21	IA-SUNSET-0520	IA-SUNSET-0520-BF	B

GRATE TYPE	PART NO.	EN-1433 LOAD CLASS
	0.5M	
DUCTILE IRON SLOTTED	461	E600
DUCTILE IRON SLOTTED - GATIC	462G	D400
DUCTILE IRON SLOTTED HEEL-PROOF	480 (FNHX100KCCM)	C250

HEX HEAD CAP SCREW
 5/16-18 X 2.50"
 TDS PN: HW 0048 SS

WASHER 5/16
 TDS PN: HW 0023 SS

LOCK BAR
 TDS PN: LC438S516



MANUFACTURER



DISCLAIMER - The customer and the customer's architects, engineers, consultants, and other professionals are completely responsible for the selection, installation, and maintenance of any product purchased from Trench Drain Systems and/or its manufacturers. TRENCH DRAIN SYSTEMS MAKES NO WARRANTY, EXPRESS OR IMPLIED, AS TO THE SUITABILITY, DESIGN, MERCHANTABILITY, OR FITNESS OF THE PRODUCT FOR CUSTOMERS APPLICATION. The drawing and information provided remain the property and copyright of the manufacturer listed. The manufacturer reserves the right to modify specification without notice.

ENGINEERING SPECIFICATION

ABT 2811B LOCKING DEVICES ARE TO BE USED WITH ALL GRATING SYSTEMS WHERE WHEEL TRAFFIC OCCURS. THIS IS NECESSARY TO PROVIDE SYSTEM INTEGRITY. USED ON ABT POLYDRAIN TRENCH DRAIN SYSTEMS.