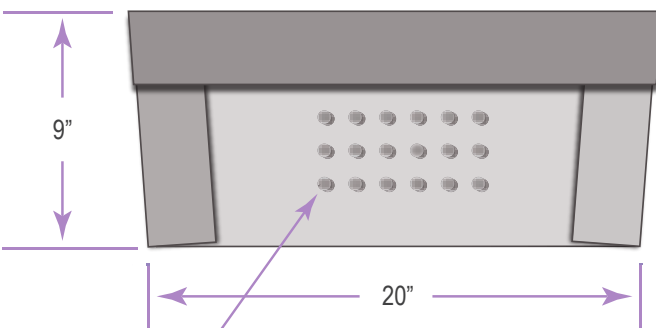
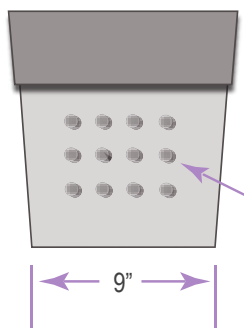


Ø 1/4 **LIFTING ROD**

- NOTES:**
1. CHEMICAL RESISTANT CORRUGATED HDPE PLASTIC
 2. 1/4" STAINLESS STEEL WIRE FRAME w/LIFTING ROD ACROSS TOP



X Ø 1/2
**HOLE THRU
EACH SIDE**



12X Ø 1/2
**HOLE THRU
12 EACH END**



3000 SERIES
SERIOUS DRAINAGE • SERIOUS SOLUTIONS

DIMENSIONS ARE IN INCHES OR MILLIMETERS IN BRACKETS UNLESS OTHERWISE NOTED.			
	BY	DATE	WEIGHT
DRN	JRS	1/6/16	
CHK	JRS	1/6/16	
ENG			
APR			
APR			
SCALE			DRAWING DESCRIPTION
NOT TO SCALE			
DRAWING NUMBER			3000 SERIES 12" x 24" SEDIMENT BASKET
CA1224TA			

TRENCH DRAIN
SYSTEMS
www.TrenchDrainSystems.com
PO Box 377 • Fremont, OH 43420
(610) 638-1221