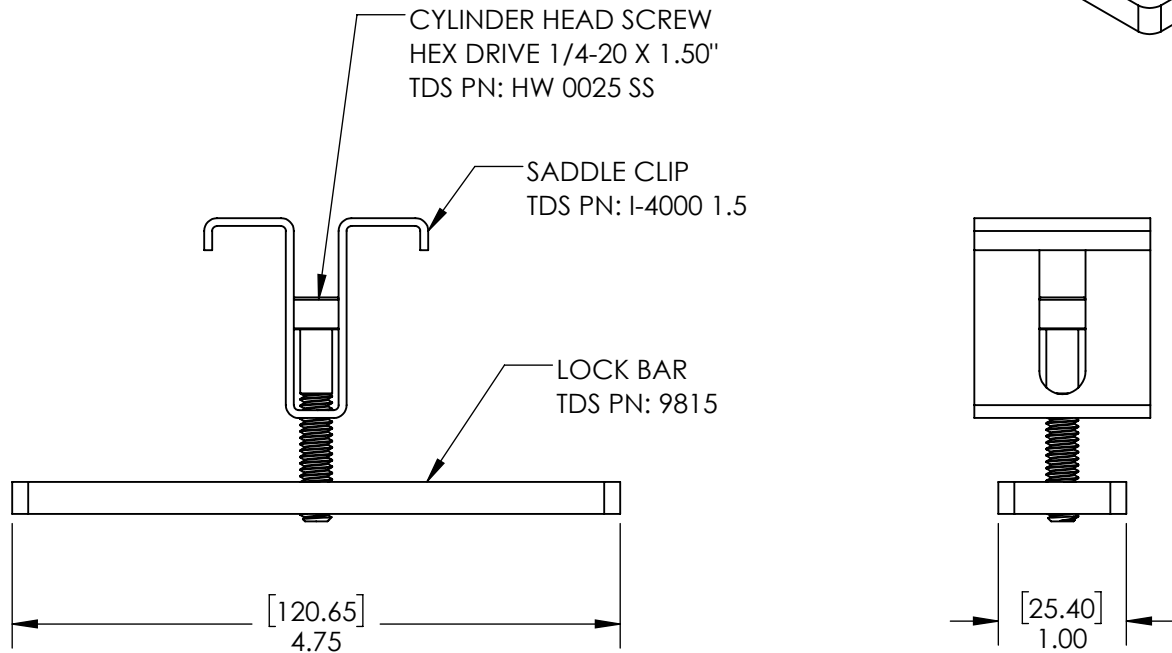
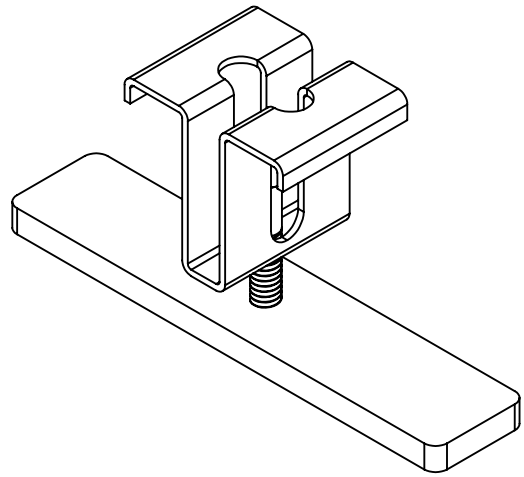


RELEASED 5.13.20

DA3042F	LOCKING DEVICE FOR TDS 3000 SERIES W/FIBERGLASS I-BAR GRATE	
---------	---	--

GRATE TYPE	PART NO.	DIN LOAD CLASS
FIBERGLASS VE 1400 BAR	DG3044	C

TRENCH DRAINS SYSTEMS DA3042F SERIES LOCKING DEVICES ARE TO BE USED WITH ALL GRATING SYSTEMS WHERE WHEEL TRAFFIC OCCURS. THIS IS NECESSARY TO PROVIDE SYSTEM INTEGRITY. USED ON TDS 3000 SERIES SYSTEM WITH FIBERGLASS I-BAR GRATE.



DISCLAIMER - The customer and the customer's architects, engineers, consultants, and other professionals are completely responsible for the selection installation and maintenance of any product purchased from Trench Drain Systems and/or its manufacturers. TRENCH DRAIN SYSTEMS MAKES NO WARRANTY, EXPRESS OR IMPLIED, AS TO THE SUITABILITY, DESIGN, MERCHANTABILITY, OR FITNESS OF THE PRODUCT FOR CUSTOMERS APPLICATION. The drawing and information provided remain the property and copyright of the manufacturer listed. The manufacturer reserves the right to modify specification without notice.