



610-638-1221
sales@trenchdrain.com
 PO BOX 377 - FREMONT, OH 43420

PROJECT ID: _____
CONTRACT NO: _____

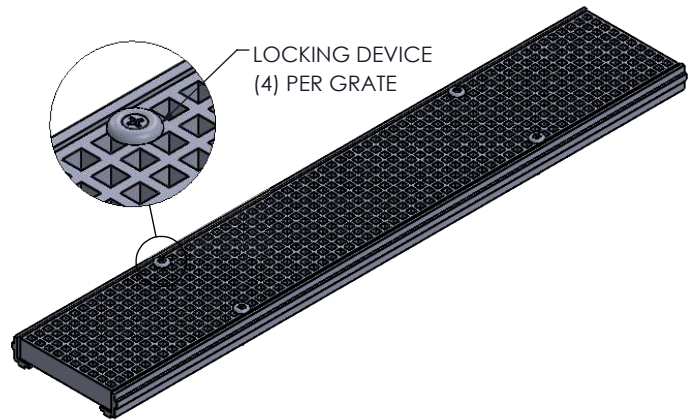
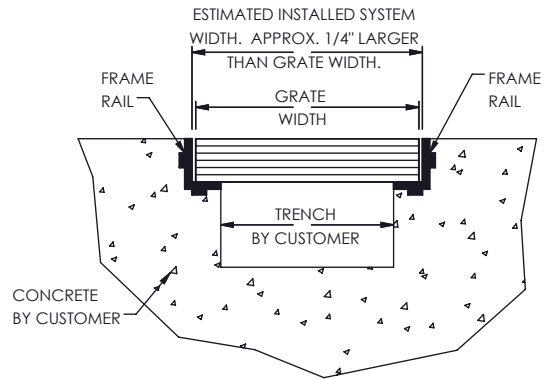
LOCATION: _____

RELEASED: 3.4.22
 REVISION: B

FGK-MICRO-EZ **FIBERGLASS KIT WITH MICRO-MESH GRATE AND EZ FRAME**

NOMINAL SYSTEM WIDTH	ACTUAL GRATE WIDTH	SYSTEM LENGTH	KIT PART NO.
8"	7.75"	4'	FGK-MICRO-EZ-0804
		8'	FGK-MICRO-EZ-0808
		12'	FGK-MICRO-EZ-0812
		16'	FGK-MICRO-EZ-0816
		20'	FGK-MICRO-EZ-0820
10"	10.75"	4'	FGK-MICRO-EZ-1004
		8'	FGK-MICRO-EZ-1008
		12'	FGK-MICRO-EZ-1012
		16'	FGK-MICRO-EZ-1016
		20'	FGK-MICRO-EZ-1020
12"	12.25"	4'	FGK-MICRO-EZ-1040
		8'	FGK-MICRO-EZ-1204
		12'	FGK-MICRO-EZ-1208
		16'	FGK-MICRO-EZ-1212
		20'	FGK-MICRO-EZ-1216
14"	13.75"	4'	FGK-MICRO-EZ-1220
		8'	FGK-MICRO-EZ-1240
		12'	FGK-MICRO-EZ-1404
		16'	FGK-MICRO-EZ-1408
		20'	FGK-MICRO-EZ-1412
16"	15.75"	4'	FGK-MICRO-EZ-1416
		8'	FGK-MICRO-EZ-1420
		12'	FGK-MICRO-EZ-1424
		16'	FGK-MICRO-EZ-1428
		20'	FGK-MICRO-EZ-1432

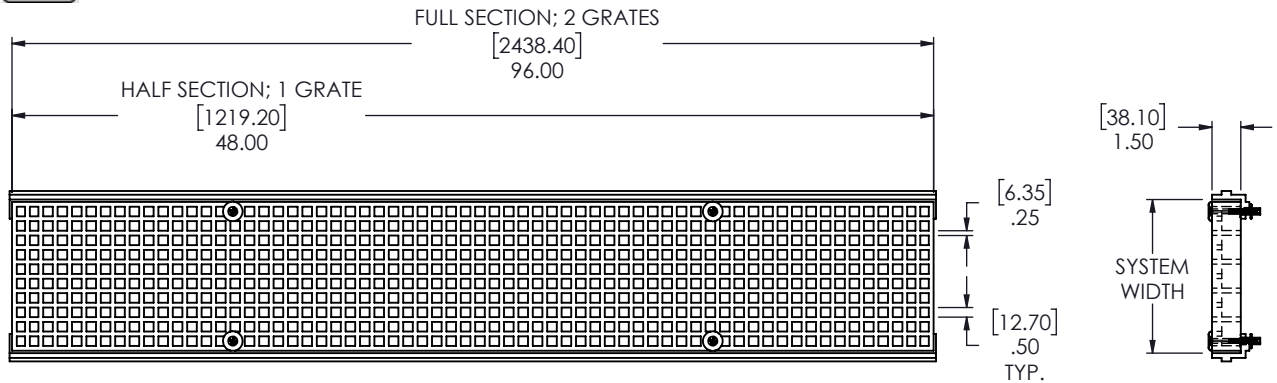
EXAMPLE OF A TYPICAL INSTALLATION



KITS ARE SUPPLIED IN 4FT & 8FT SECTIONS



DIN APPLICATION LOAD CLASS C:
 CURB SIDES, HIGHWAY SHOULDERS
 AND PARKING AREAS. DESIGNED
 FOR A DISTRIBUTED PRESSURE OF 56,
 200 LBS. (250kN)



MANUFACTURER



DISCLAIMER - The customer and the customer's architects, engineers, consultants, and other professionals are completely responsible for the selection installation and maintenance of any product purchased from Trench Drain Systems and/or its manufacturers. TRENCH DRAIN SYSTEMS MAKES NO WARRANTY, EXPRESS OR IMPLIED, AS TO THE SUITABILITY, DESIGN, MERCHANTABILITY, OR FITNESS OF THE PRODUCT FOR CUSTOMERS APPLICATION. The drawing and information provided remain the property and copyright of the manufacturer listed. The manufacturer reserves the right to modify specification without notice.

ENGINEERING SPECIFICATION

TDS FIBERGLASS KITS ARE MANUFACTURED WITH LAYERS OF RESIN AND FIBERGLASS STRANDS TO CREATE A GRATING SYSTEM WITH EXCELLENT IMPACT RESISTANCE THAT PROVIDES BETTER TRACTION THAN METAL BAR GRATING. IT IS CORROSION RESISTANT, LIGHTWEIGHT, NONCONDUCTIVE AND NONMAGNETIC. THE GRATE HAS AN OPEN AREA OF 44.4% AND IS ADA APPROVED. EACH GRATE MEASURES 1.50" THICK X 48.00" LONG. KIT INCLUDES GRATE(S), LOCKING DEVICES AND FRAME RAILS.